



Zero Lead Bronze Ball Valve with Stainless Steel Ball and Stem Model 2970.3ZL*

Description

- Zero Lead Bronze Body
- Full Port
- EPDM Sealing Element
- EPDM Stem Seals
- Lockable Metal Handle
- ProPress Ends

Features

- 316 Stainless Steel Ball
- 316 Stainless Steel Stem
- Blowout-Proof Stem
- Reinforced PTFE Seats
- Smart Connect Feature

Ratings

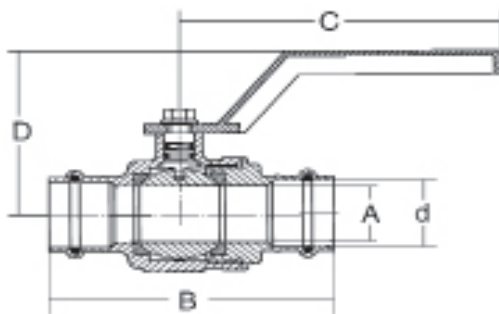
- 600 WOG
- Max. Operating Pressure: 200 psi
- Temperature Range: 0°F - 250°F

Approvals

- Conforms to MSS SP-110
- NSF-61 Annex G
- CSA 1/2" - 1"
- UP Code



NOTE: The only visible difference between Model 2970.3ZL and 2970.10ZL is the stem.



Stock Code	d	A (in)	B (in)	C (in)	D (in)
79820	1/2"	0.551	3.346	4.331	2.402
79825	3/4"	0.787	3.819	4.331	2.461
79830	1"	0.984	4.291	4.823	2.795
79835	1-1/4"	1.260	4.685	4.823	3.228
79840	1-1/2"	1.575	5.610	5.315	3.661
79845	2"	1.969	6.756	5.315	3.976

*ZERO LEAD identifies Viega products meeting the lead free requirements of California and Vermont law, effective January 1, 2010, as tested and listed against NSF- 61, Annex G



VIEGA

301 N. Main, 9th Floor
Wichita, KS 67202
Phone: 1-800-976-9819
Fax: 1-800-976-9817

service@viega.com
www.viega-na.com